

Hermetic Feedthrough Fiber Arrays

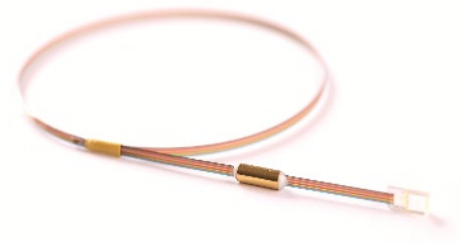
Description

Broadex Technologies Fiber Arrays are assembled with high precision V-groove arrays and undergo a unique assembly and polish process to obtain an extremely accurate fiber core position with ultra fine surface finish.

Broadex provides a wide variety of fiber feedthroughs to match your hermetic sealing requirement. This method of enabling a hermetic seal is an easy and convenient alternative to fiber metallization, and the product comes with Broadex Technologies high quality fiber array for easy assembly into various types of optical modules that require true hermetic sealing.

Features

- Single-mode, multimode or polarization maintaining fibers
- Single or multiple fiber designs up to 24 channels
- Ribbon fiber versions up to 24 channels available
- Alternative to fiber metallization methods
- Can be installed into packages with standard solders
- Available terminated with round or rectangular ferrules
- Designed to meet Telcordia requirements
(GR 1221-core, GR 468-core)



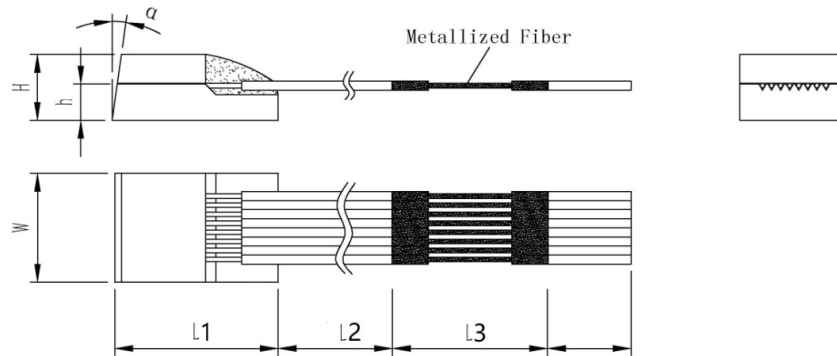
Applications

- Laser diode packaging
- Waveguide packaging
- Integrated optics packaging
- Vacuum feedthrough assemblies

Specifications

Parameter	Unit	Quartz, Pyrex or Silicon
Number of Channels		1,2,4,8,16,32,40,48,64
Core pitch / Max Offset	μm	250, 127 / 0.7
Fiber Length	m	1.5 ± 0.1 or customized
End Face Angle	α	0, 5, 8, 12 (± 0.3)
Center Wavelength Accuracy	pm	Relative to ITU all SOP
Polish Flatness	nm	5 fringes @ 633
Operating Temperature	°C	-40 to +85

Mechanical Drawing



Channel number	Core Pitch(μm)	L1(mm)	W(mm)	H(mm)	h(mm)	L2	L3
1		7.5	2.5	2.5	1.5	customized	customized
4	250	9.5	2.5	2.5	1.5	customized	customized
8	127	9.5	2.5	2.5	1.5	customized	customized
8	250	9.5	3.5	2.5	1.5	customized	customized
16	127	9.5	3.5	2.5	1.5	customized	customized
24	127	11.5	5.0	2.5	1.5	customized	customized
32	127	11.5	5.7	2.5	1.5	customized	customized
48	127	11.5	9.0	2.5	1.5	customized	customized
64	127	11.5	10.0	2.5	1.5	customized	customized

Ordering Information

Single-Channel Fiber Arrays

BFA	-XX	-X	-XX	-X	-X	-X
B=Broadex MFA=Metallized Fiber Array	Channel Count 01=1 Channel	Material Q=Quartz P=Pyrex S=Silicon	Fiber Length 12=1.2m 15=1.5m XX=Customized	Fiber Tube Type B=250 μm Bare Fiber L=900 μm Loose Tube T=900 μm Tight Buffer	Fiber Color C=Clear W=White B=Blue X=Customized	Polishing Angle A=+5° B=-5° C=+8° D=-8° E=+12° F=-12° G=0° X=Customized

Multi-Channel Fiber Arrays

BFA	-XX	-X	-XX	-XX	-X	-X
B=Broadex	Channel Count	Material	Fiber Core Pitch	Ribbon Fiber Length	Fiber Color	Polishing Angle
F=Fiber	04=4 Channels	Q=Quartz	25=250µm	12=1.2m	C=Clear	A=+5° B=-5°
A=Array	08=8 Channels	P=Pyrex	12=127µm	15=1.5m	W=White	C=+8° D=-8°
	16=16 Channels	S=Silicon	XX=Customized	XX=Customized	B=Blue	E=+12° F=-12°
	32=32Channels				X=Customized	G=0°
	64=64 Channels					X=Customized
					

Contact Us
International Sales

Email: Sales@broadex-tech.co.uk

Tel: +44-1506-426021

Mobile: +44-7968-854124

China Sales

Tel: +86-573-82585881

Email: Sales@broadex-tech.com

Copyright © 2020 Broadex Technologies. All rights reserved