

Single and Multiple Channel Fiber Arrays

Description

Broadex Technologies Fiber Arrays are assembled with high precision V-groove arrays and undergo a unique assembly and polish process to obtain an extremely accurate fiber core position with ultra fine surface finish.

Fiber Arrays can be produced to meet many different custom or standard demands, with all arrays featuring low insertion loss, high return loss and very compact dimensions. All Fiber Arrays are available with a wide choice of termination options and opto-mechanical features, as well different fiber types including single-mode, multimode and polarization maintaining fiber.

Features

- Configurations include: 1ch / 2ch / 4ch / 8ch / 12ch / 16ch / 24ch / 32ch / 48ch / 64ch
- Single-mode, multimode or polarization maintaining fibers
- 127um, 250um and other fiber pitches available
- Typical core pitch spec within $\pm 0.5\mu\text{m}$
- Multiple v-groove materials including quartz, Pyrex and silicon

Applications

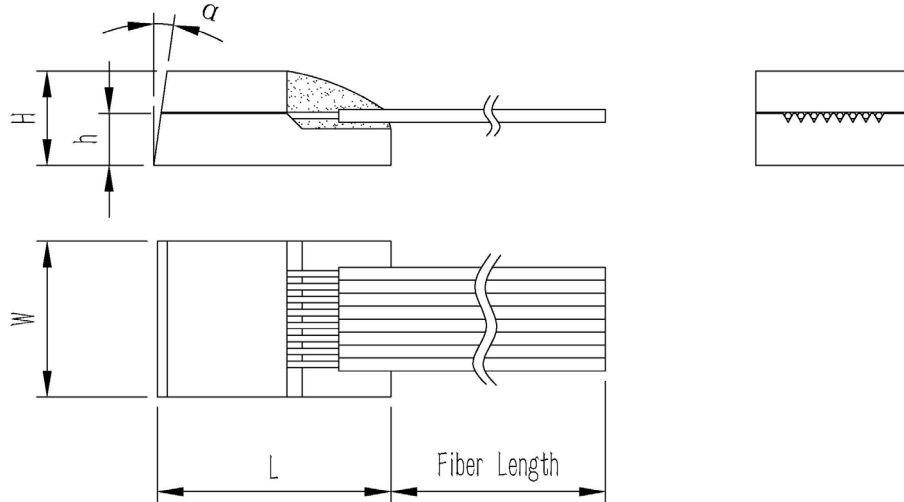
- PLC Devices: PLC Splitter, AWGs
- MEMS
- Integrated Active/Passive Components
- Micro Optics Modules
- Variable Optical Attenuators
- Lens/Collimators Array



Specifications

Parameter	Unit	Quartz, Pyrex or Silicon
Number of Channels		1,2,4,8,16,32,40,48,64
Core pitch / Max Offset	μm	250, 127 / 0.7
Fiber Length	m	1.5 ± 0.1 or customized
End Face Angle	α	0, 5, 8, 12 (± 0.3)
Center Wavelength Accuracy	pm	Relative to ITU all SOP
Polish Flatness	nm	5 fringes @ 633
Operating Temperature	$^{\circ}\text{C}$	-40 to +85

Mechanical Drawing



Channel number	Core Pitch(um)	L(mm)	W(mm)	H(mm)	H(mm)
1		7.5	2.5	2.5	1.5
4	250	9.5	2.5	2.5	1.5
8	127	9.5	2.5	2.5	1.5
8	250	9.5	3.5	2.5	1.5
16	127	9.5	3.5	2.5	1.5
24	127	11.5	5.0	2.5	1.5
32	127	11.5	5.7	2.5	1.5
48	127	11.5	9.0	2.5	1.5
64	127	11.5	10.0	2.5	1.5

Ordering Information

Single-Channel Fiber Arrays

BFA	-XX	-X	-XX	-X	-X	-X
B=Broadex	Channel Count	Material	Fiber Length	Fiber Tube Type	Fiber Color	Polishing Angle
F=Fiber	01=1 Channel	Q=Quartz	12=1.2m	B=250μm Bare Fiber	C=Clear	A=+5° B=-5°
A=Array		P=Pyrex	15=1.5m	L=900μm Loose Tube	W=White	C=+8° D=-8°
		S=Silicon	XX=Customized	T=900μm Tight Buffer	B=Blue	E=+12° F=-12°
					X=Customized	G=0°
						X=Customized

Multi-Channel Fiber Arrays

BFA	-XX	-X	-XX	-XX	-X	-X
B=Broadex	Channel Count	Material	Fiber Core Pitch	Ribbon Fiber Length	Fiber Color	Polishing Angle
F=Fiber	04=4 Channels	Q=Quartz	25=250μm	12=1.2m	C=Clear	A=+5° B=-5°
A=Array	08=8 Channels	P=Pyrex	12=127μm	15=1.5m	W=White	C=+8° D=-8°
	16=16 Channels	S=Silicon	XX=Customized	XX=Customized	B=Blue	E=+12° F=-12°
	32=32Channels				X=Customized	G=0°
	64=64 Channels					X=Customized
					

Contact Us
International Sales

Email: Sales@broadex-tech.co.uk

Tel: +44-1506-426021

Mobile: +44-7968-854124

China Sales

Tel: +86-573-82585881

Email: Sales@broadex-tech.com

Copyright © 2020 Broadex Technologies. All rights reserved